

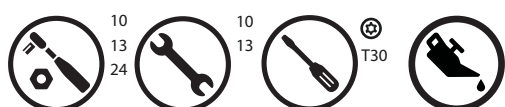


Scan the QR code  
for translated  
instructions or visit  
[metec.ee/instructions](http://metec.ee/instructions)



Weight: 15,9 kg  
Time of mounting w/o wiring: 60 min

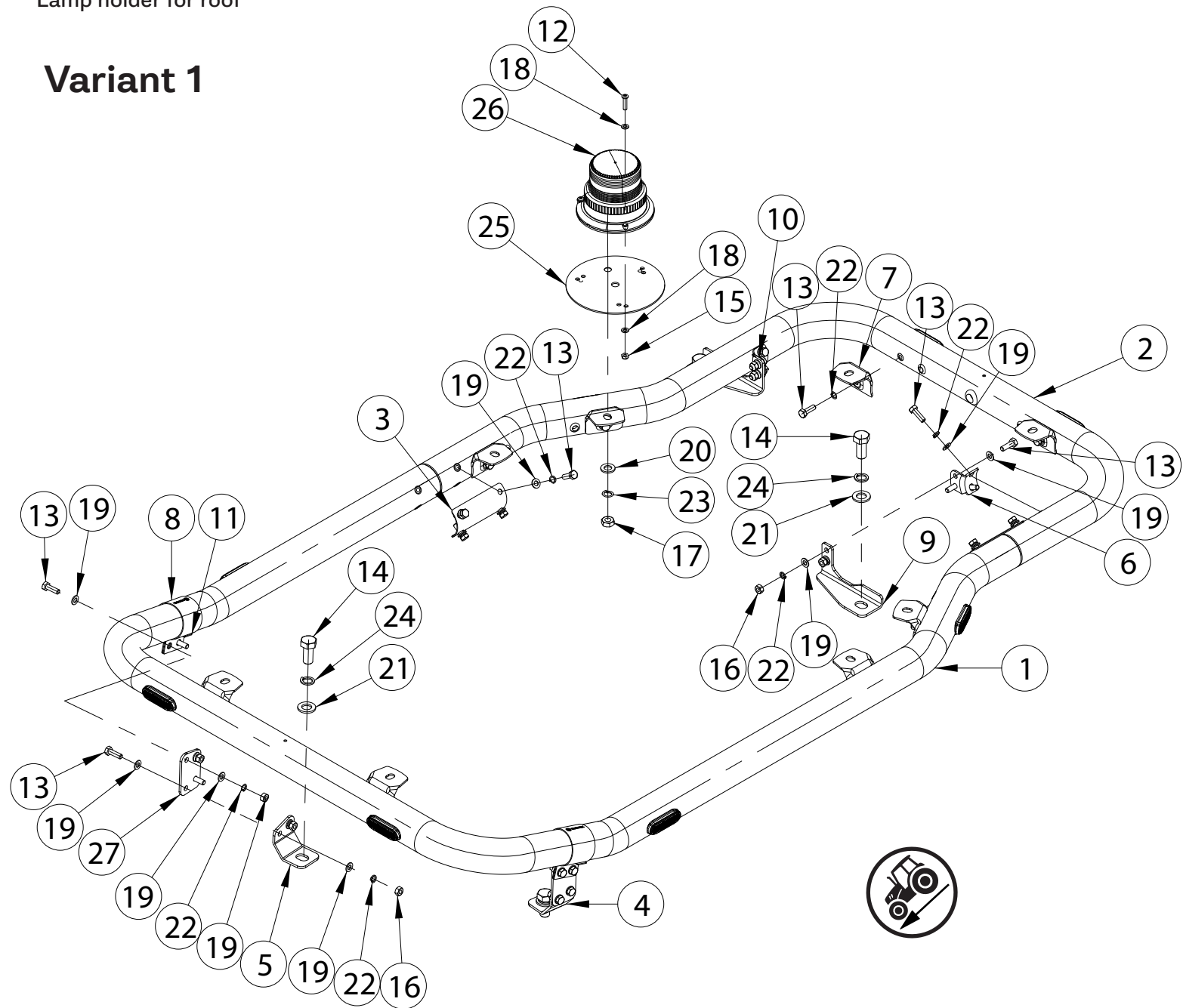
**Required tools:**



**A2 / A4**

M6 - 7 Nm  
M8 - 17 Nm  
M12 - 57 Nm  
M16 - 140 Nm

## Variant 1



Pos	Description	QTY	Pos	Description	QTY	Pos	Description	QTY
1.	Front tube	1	11.	Brace-it installation tool	2	21.	Flat Washer 17x30x3	4
2.	Rear tube	1	12.	Bolt M6x25 DIN7380-A2	3	22.	Spring washer A8	32
3.	Tube bracket	2	13.	Bolt M8x25 DIN933-A2	32	23.	Spring washer A12	1
4.	Bracket	1	14.	Bolt M16x35 DIN933-A2	4	24.	Spring washer A16	4
5.	Bracket	1	15.	Nut M6 DIN985-A2	3	25.	Disk plate	1
6.	Bolt bracket	2	16.	Nut M8 DIN934-A2	12	26.	LED flashing light	1
7.	Lamp fixing bracket	8	17.	Nut M12 DIN934-A2	1	27.	Spacer plate	2
8.	Clamp	2	18.	Flat Washer 6,4x12x1,6	6			
9.	Bracket	1	19.	Flat Washer 8,4x16x1,6	36			
10.	Bracket	1	20.	Flat Washer 13x24x2,5	1			

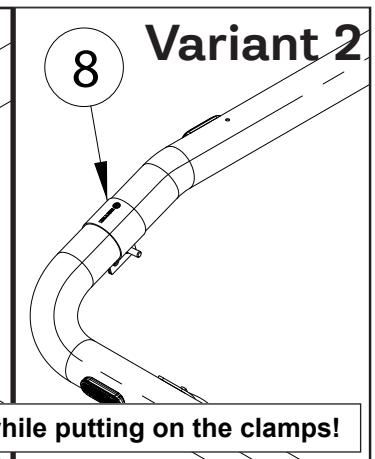
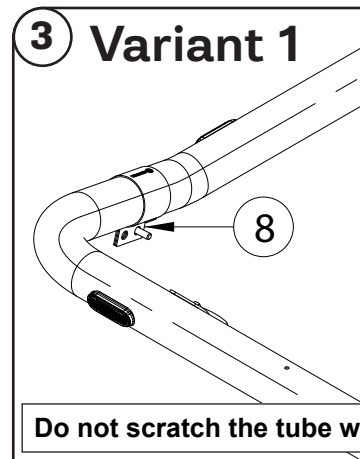
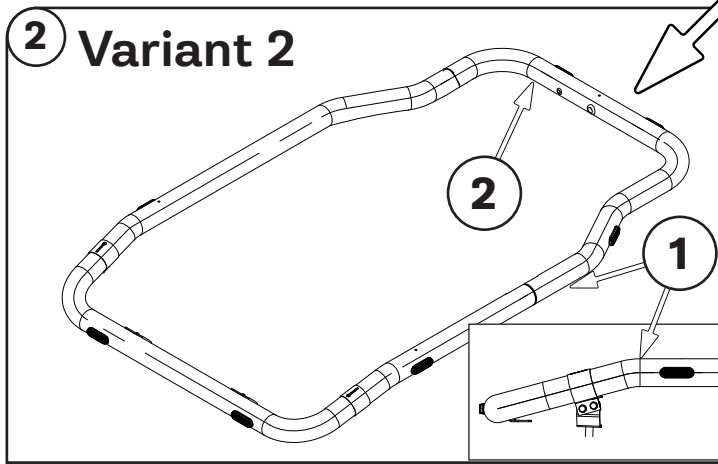
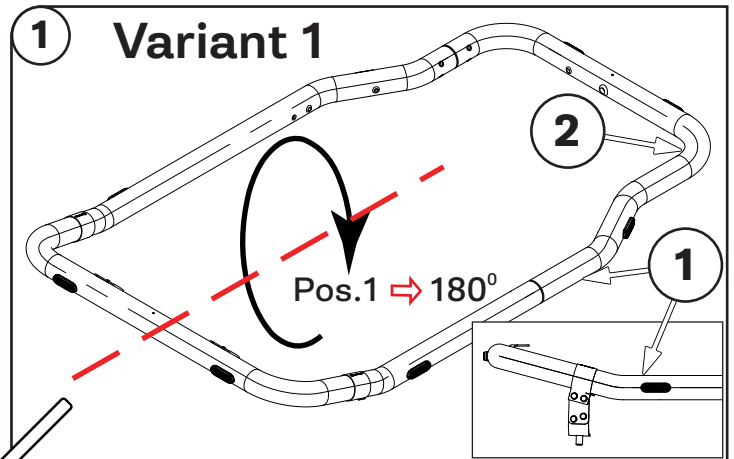
**NB!**



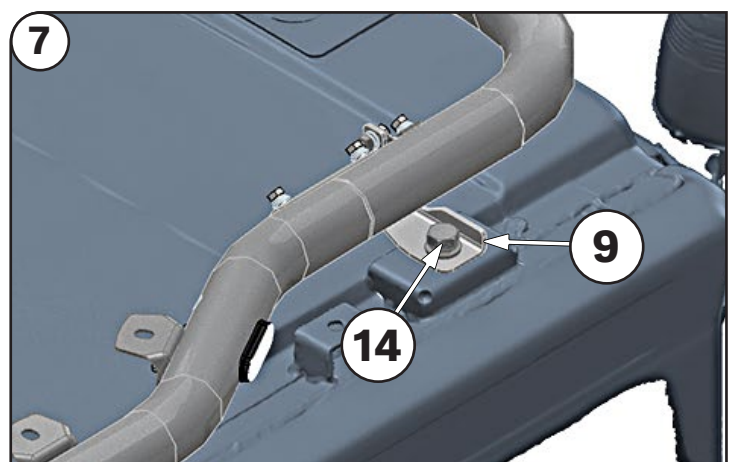
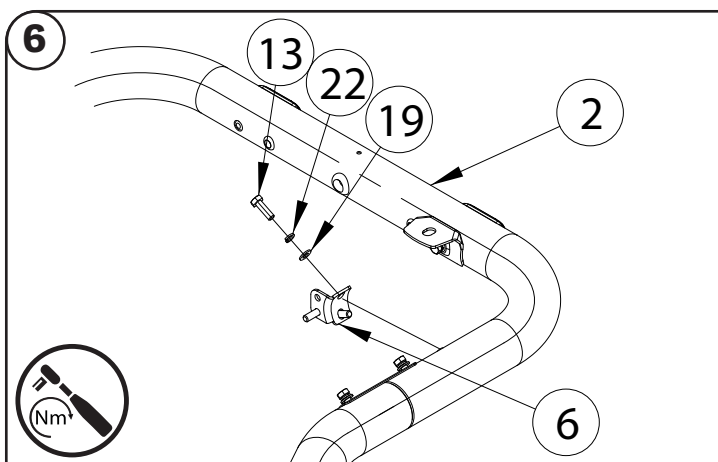
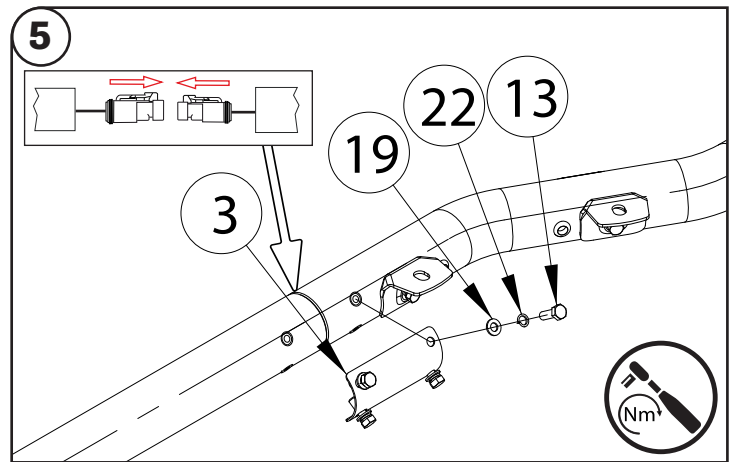
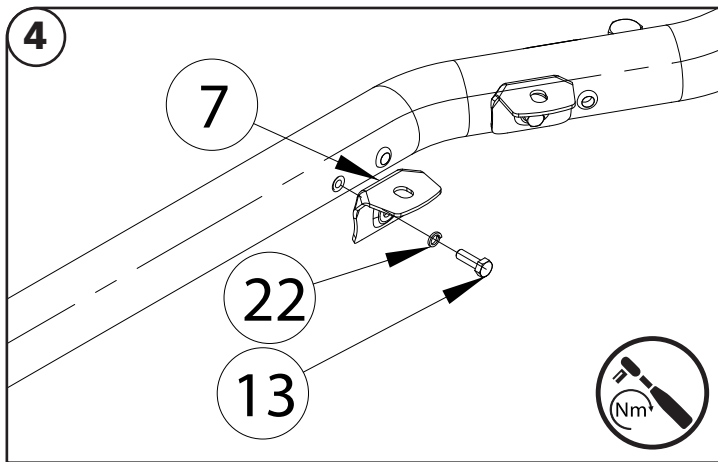
To prevent cold welding, use cold weld grease or engine oil

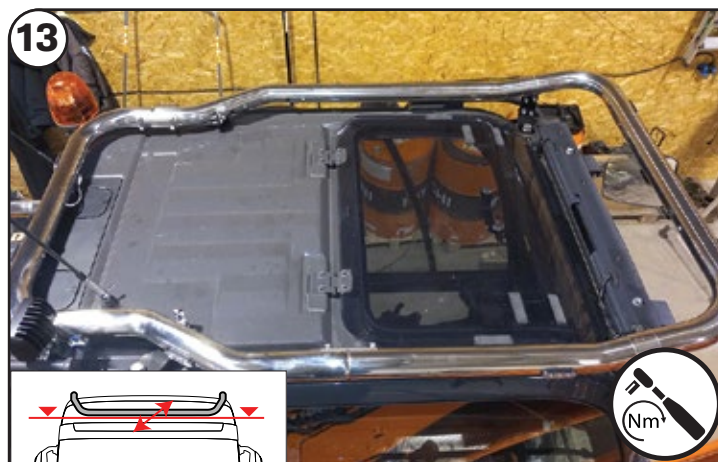
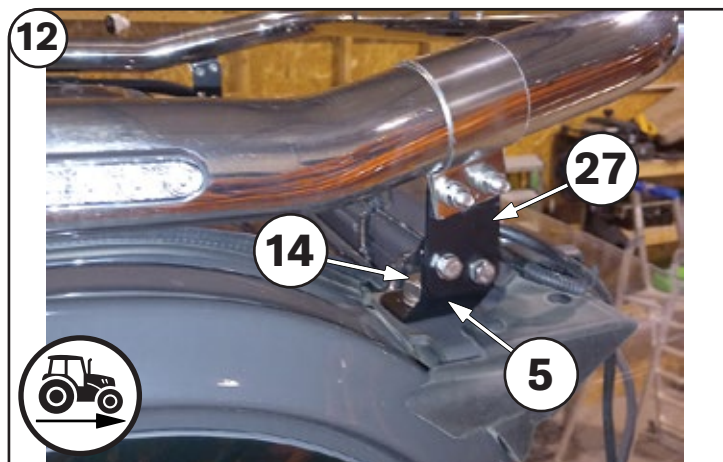
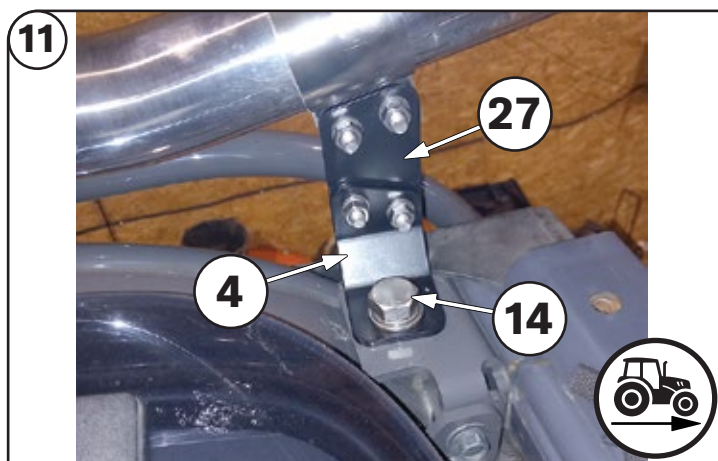
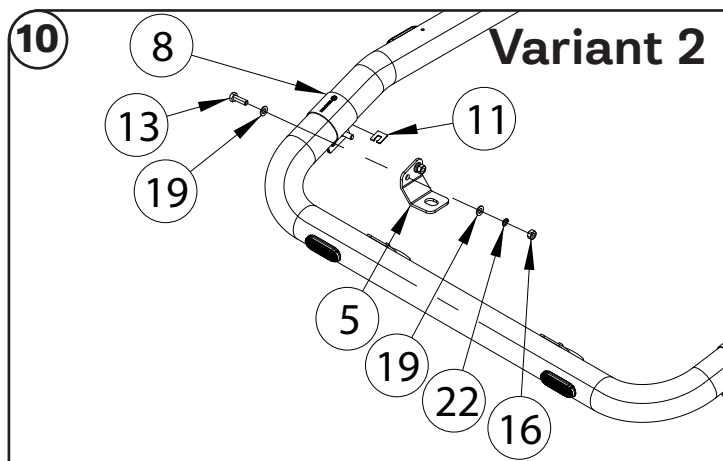
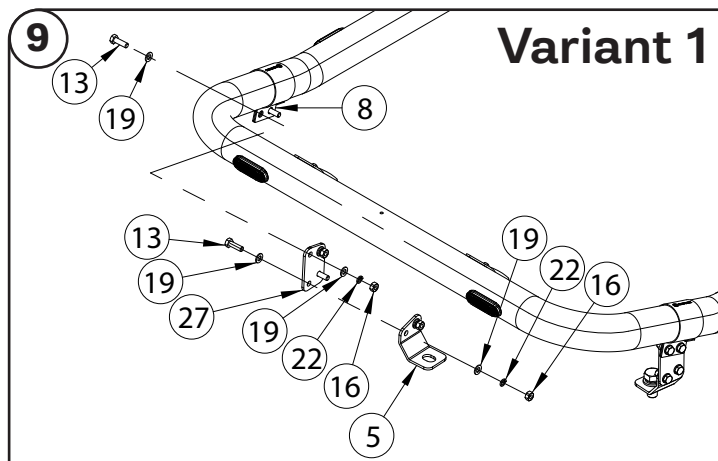
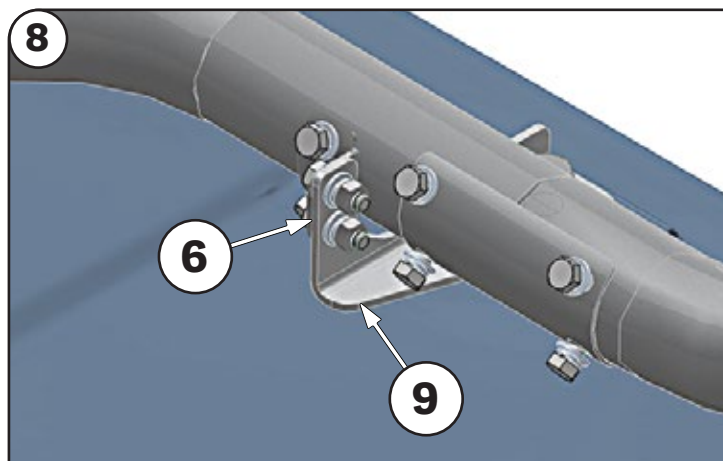


Installation of the lights must be carried out by a qualified electrician only



Do not scratch the tube while putting on the clamps!





Check and retighten the fasteners:  
 Road vehicles: every 10 000km  
 Heavy machinery: every 500 work hours



Clean the product twice a month to remove dirt, salt, and debris that may cause surface discoloration or rust spots

In case of any defects or damage to the METEC product upon delivery, contact the reseller or point of sale where you made your purchase for resolution

