



Hitachi ZX135W

Mounting instructions
Art. 88600870, 88600871
Lamp holder for counterweight

Scan the QR code
for translated
instructions or visit
metec.ee/instructions



Weight: 8,1 kg
Time of mounting w/o wiring: 45 min

Required tools:



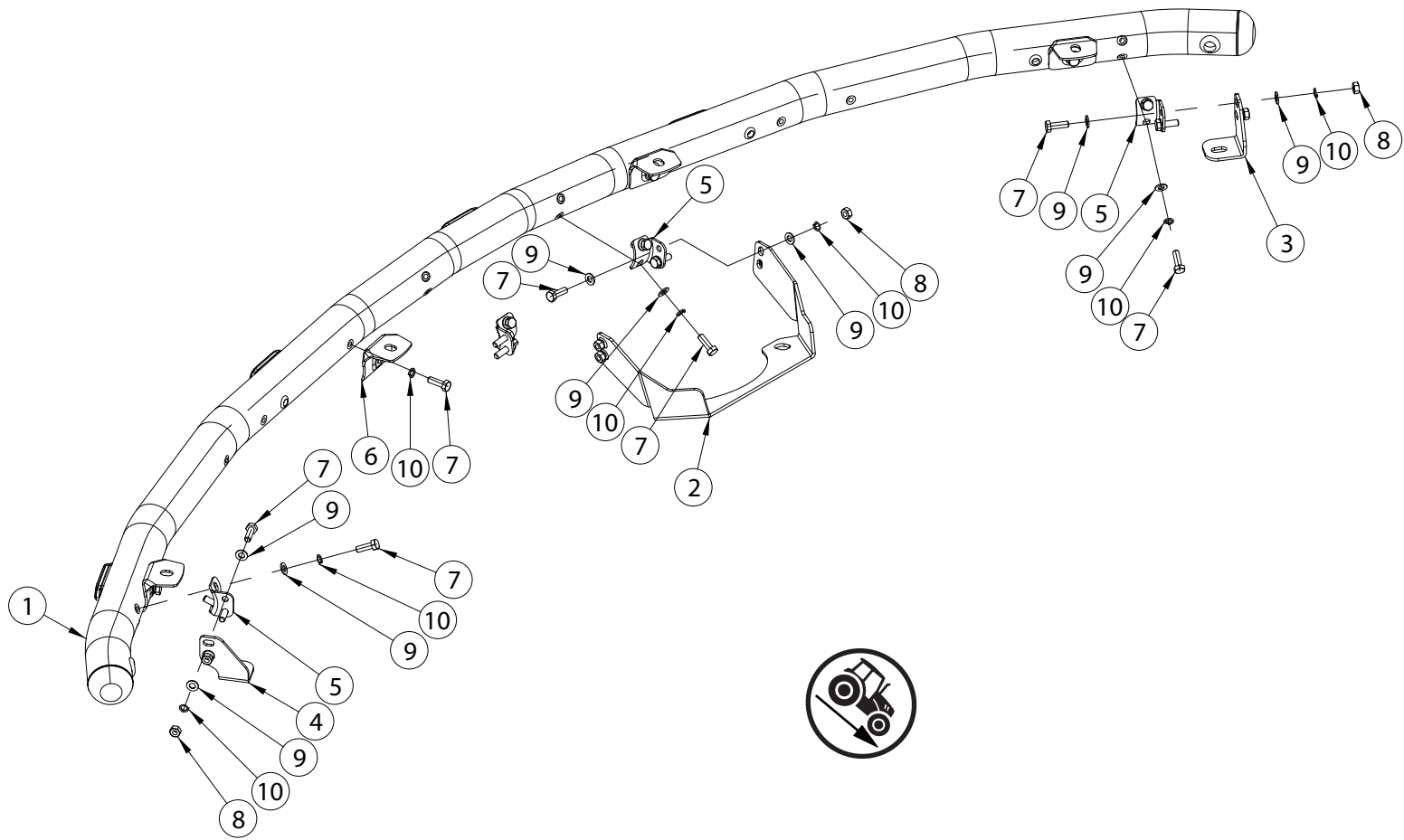
A2 / A4

M8 - 17 Nm

Hitachi ZX135W

Art. 88600870, 88600871

Lamp holder for counterweight



Pos	Description	QTY
1.	Tube	1
2.	Bracket	1
3.	Bracket	1
4.	Bracket	1
5.	Bolt bracket	4
6.	Lamp fixing bracket	4
7.	Bolt M8x20 DIN933-A2	20
8.	Nut M8 DIN934-A2	8
9.	Flat Washer 8,4x16x1,6	24
10.	Spring washer A8	20

Hitachi ZX135W

Art. 88600870, 88600871

Lamp holder for counterweight

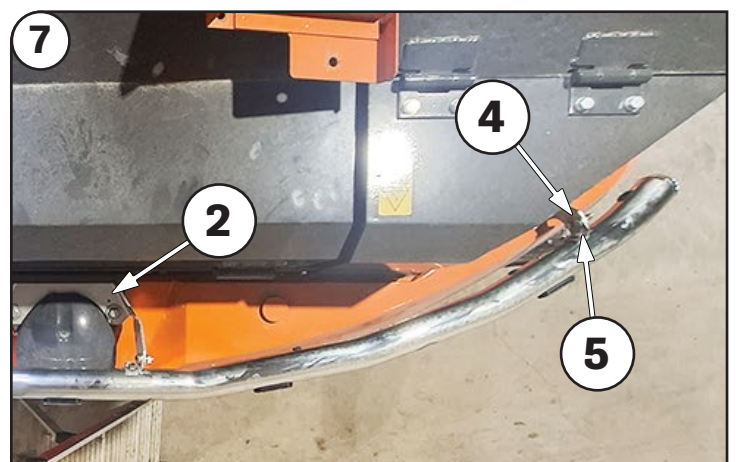
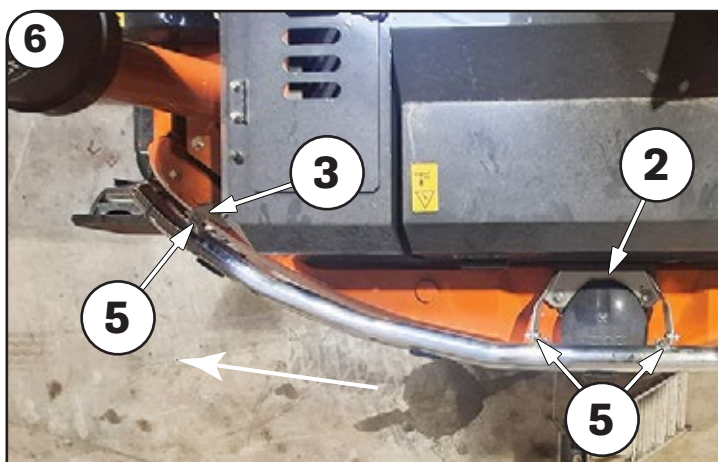
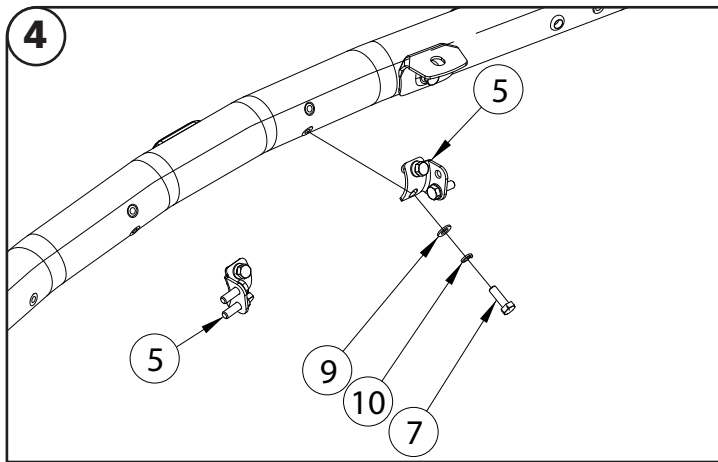
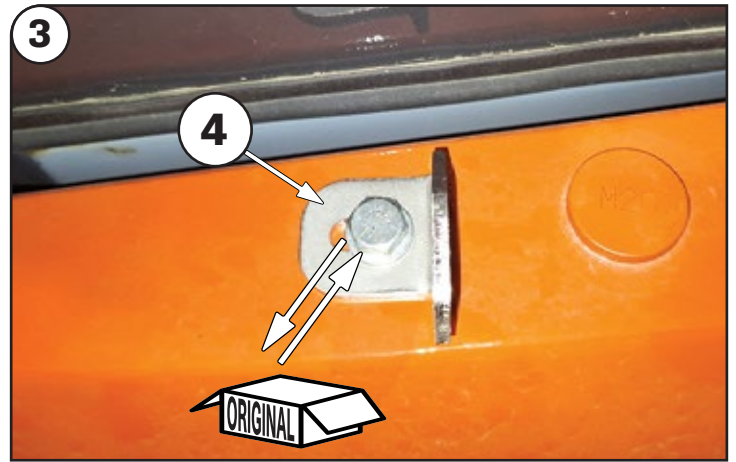
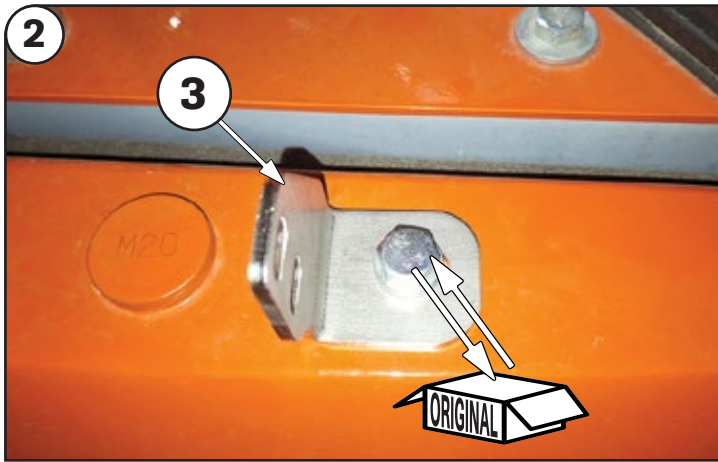
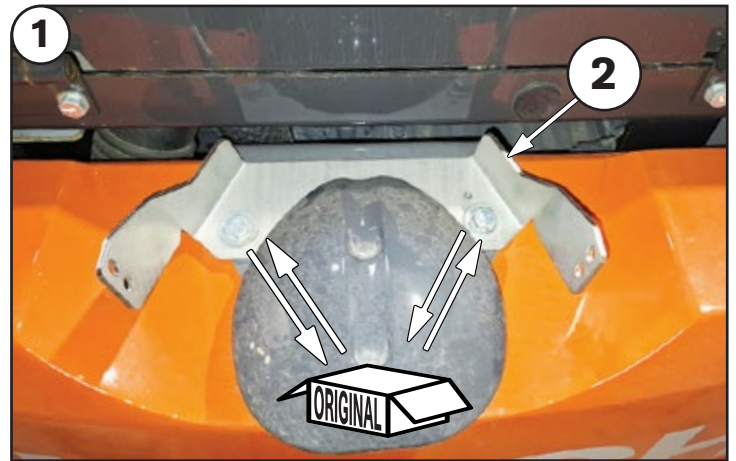
NB!



To prevent cold welding, use cold weld grease or engine oil



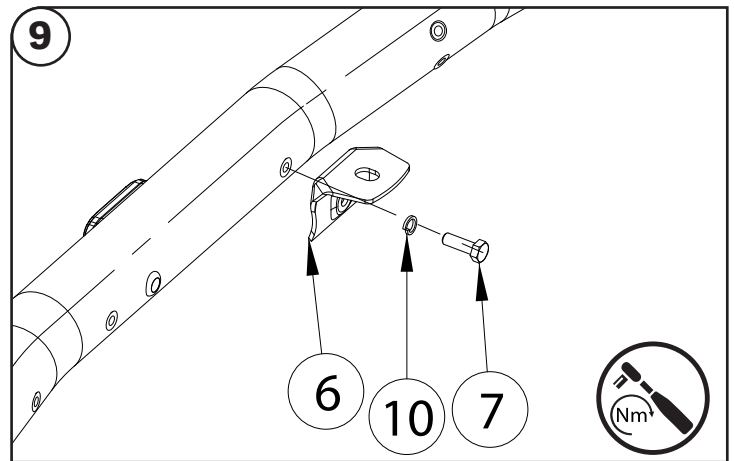
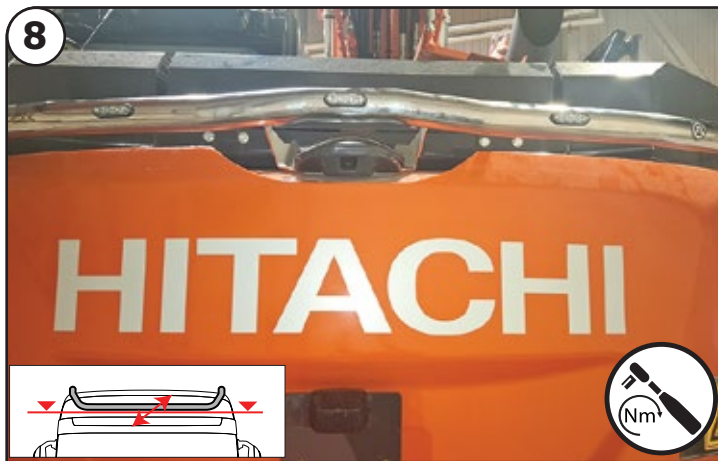
Installation of the lights must be carried out by a qualified electrician only



Hitachi ZX135W

Art. 88600870, 88600871

Lamp holder for counterweight



Check and retighten the fasteners:
Road vehicles: every **10 000km**
Heavy machinery: every **500 work hours**



Clean the product twice a month to remove dirt, salt, and debris that may cause surface discoloration or rust spots

In case of any defects or damage to the METEC product upon delivery, contact the reseller or point of sale where you made your purchase for resolution