



Hitachi ZX95US 21-

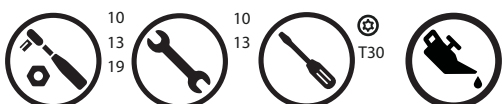
Mounting instructions
 Art. 88600670, 88600671
 Lamp holder for roof

Scan the QR code
 for translated
 instructions or visit
metec.ee/instructions



Weight: 15,1 kg
 Time of mounting w/o wiring: 60 min

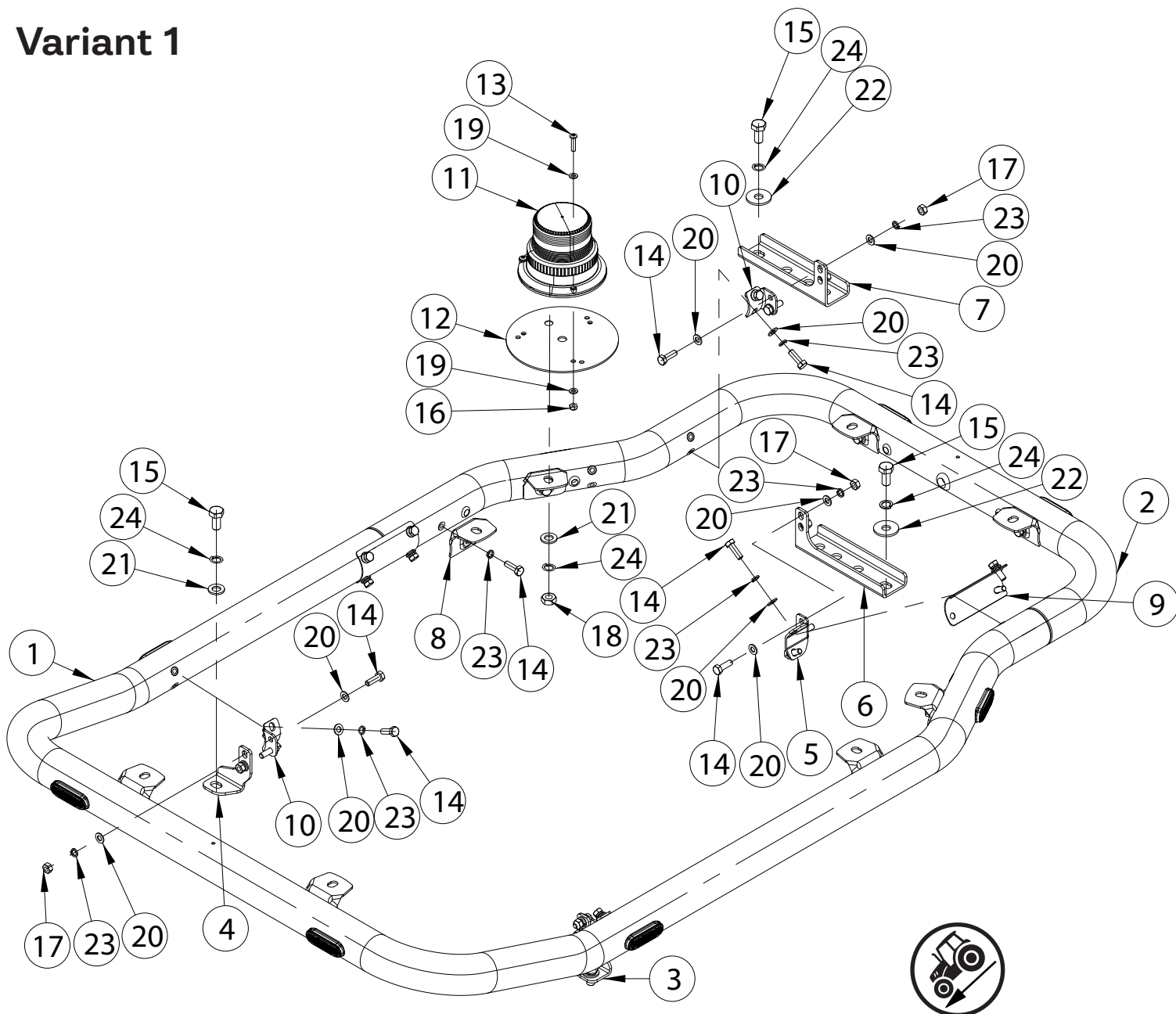
Required tools:



A2 / A4

M6 - 7 Nm
 M8 - 17 Nm
 M12 - 57 Nm

Variant 1



Pos	Description	QTY	Pos	Description	QTY	Pos	Description	QTY
1.	Front tube	1	11.	LED flashing light	1	21.	Flat Washer 13x24x2,5	3
2.	Rear tube	1	12.	Disk plate	1	22.	Flat Washer 13x37x3	2
3.	Bracket	1	13.	Bolt M6x25 DIN7380-A2	3	23.	Spring washer A8	30
4.	Bracket	1	14.	Bolt M8x25 DIN933-A2	30	24.	Spring washer A12	5
5.	Bracket	1	15.	Bolt M12x25 DIN933-A2	4			
6.	Bracket	1	16.	Nut M6 DIN985-A2	3			
7.	Bracket	1	17.	Nut M8 DIN934-A2	8			
8.	Lamp fixing bracket	8	18.	Nut M12 DIN934-A2	1			
9.	Tube bracket	2	19.	Flat Washer 6,4x12x1,6	6			
10.	Bolt bracket	3	20.	Flat Washer 8,4x16x1,6	30			

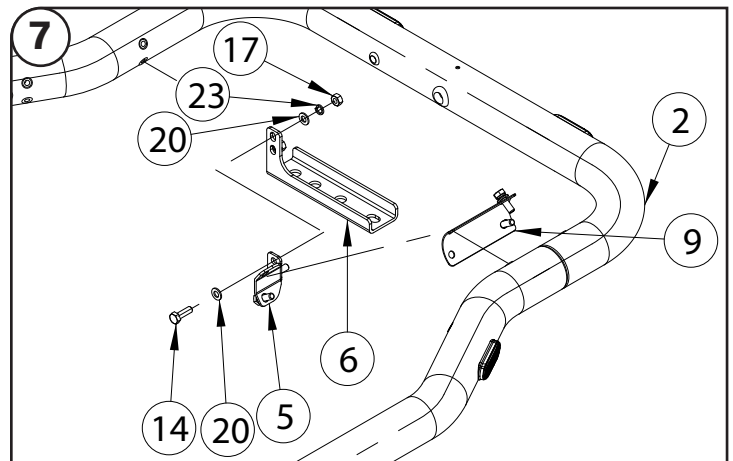
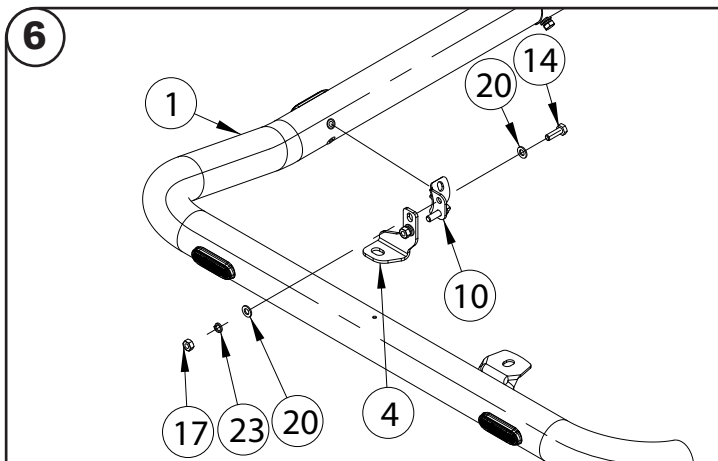
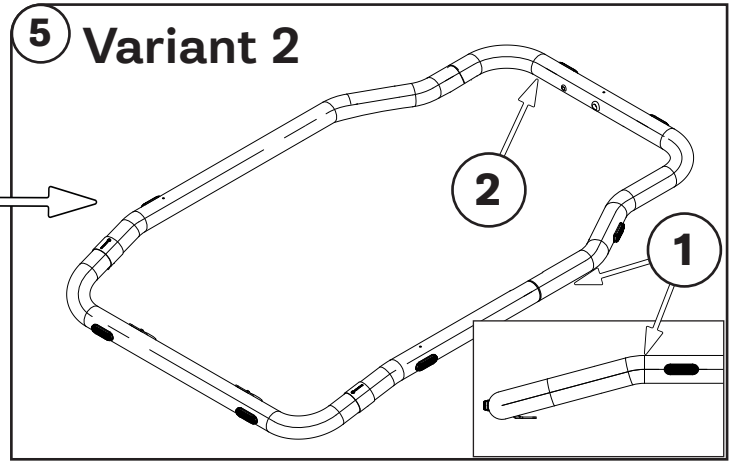
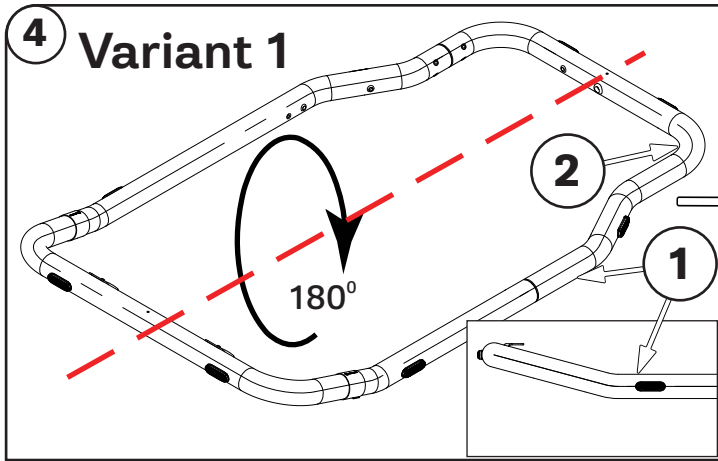
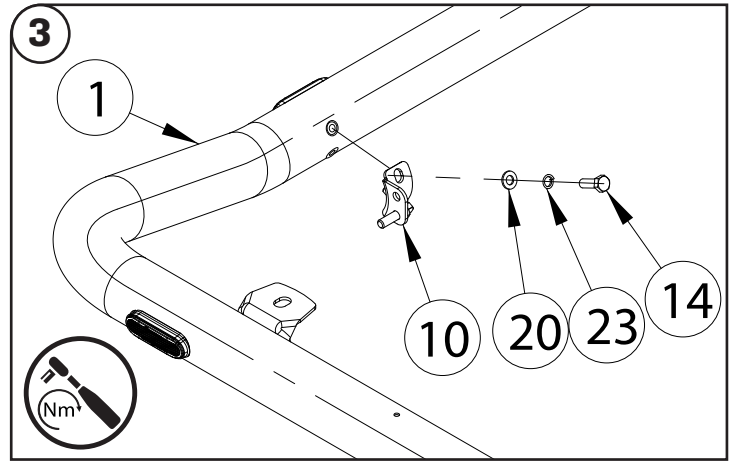
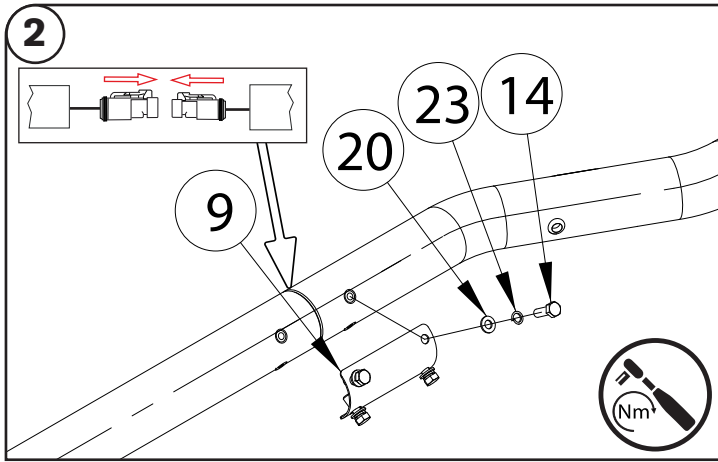
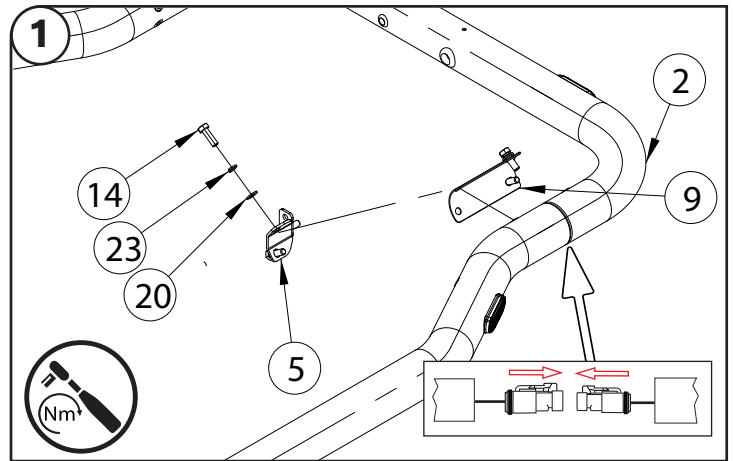
NB!



To prevent cold welding, use cold weld grease or engine oil



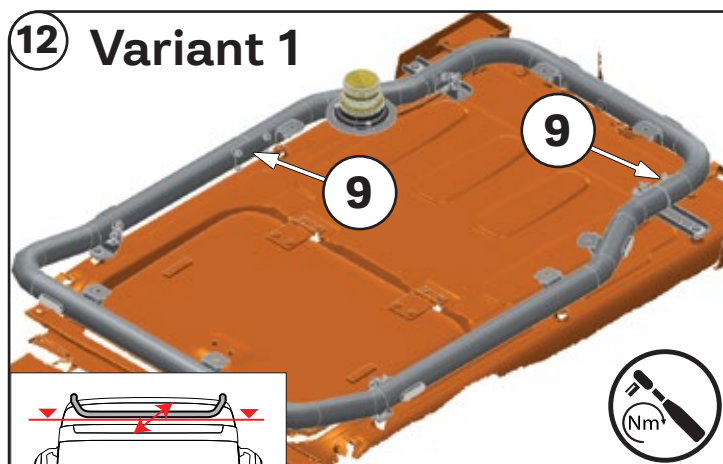
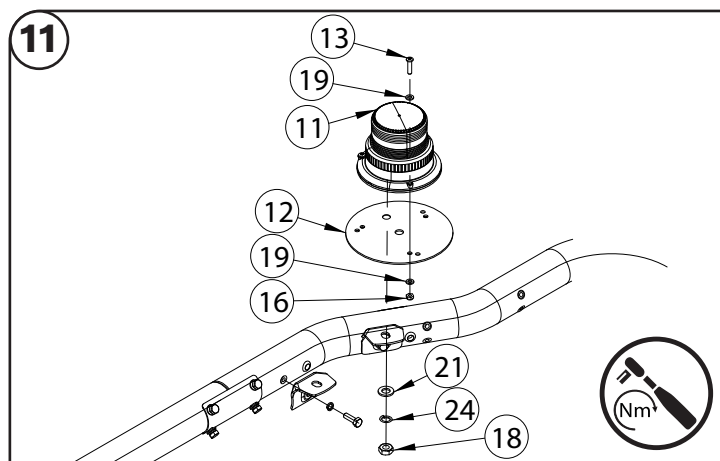
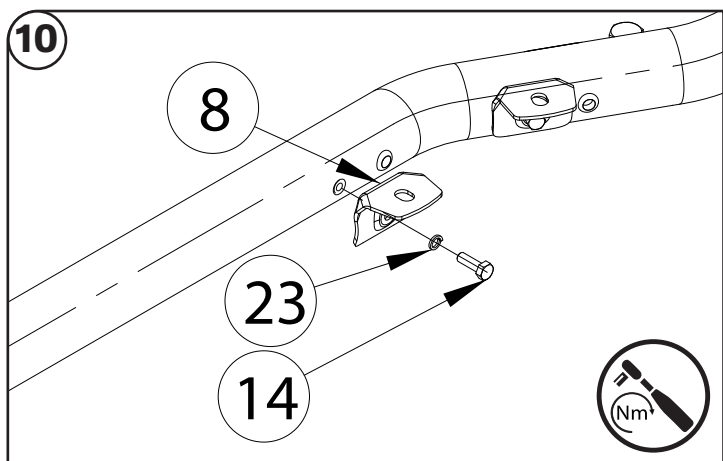
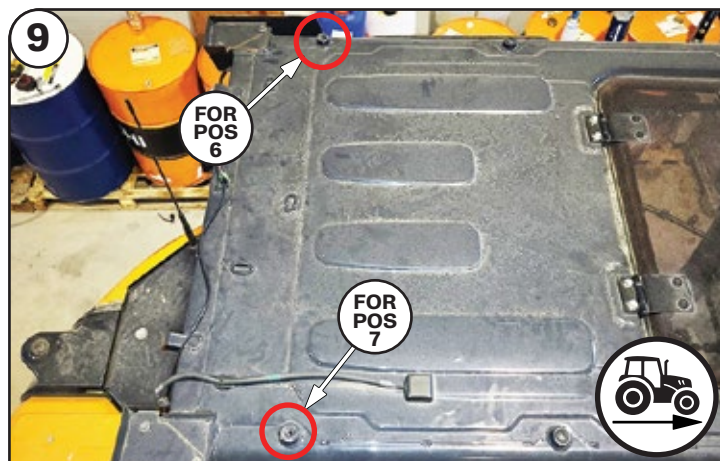
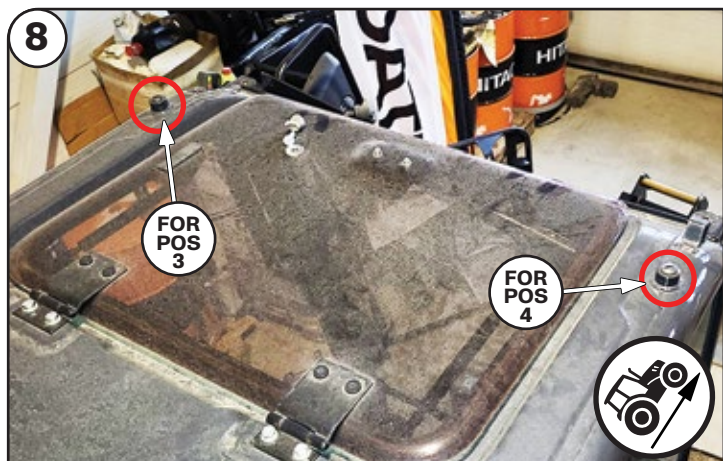
Installation of the lights must be carried out by a qualified electrician only





Hitachi ZX95US 21-

Art. 88600670, 88600671

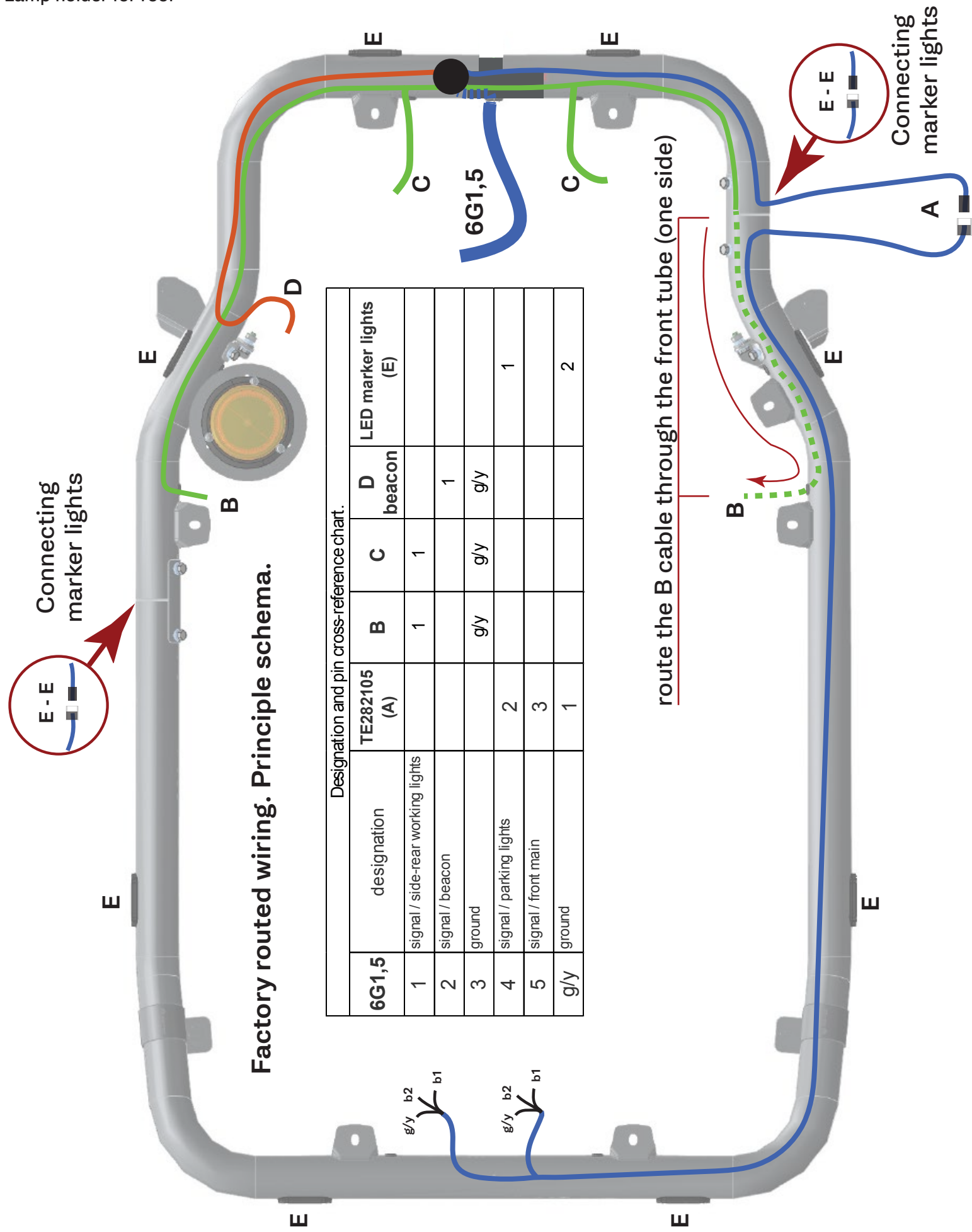
Lamp holder for roof



 Check and retighten the fasteners:
Road vehicles: every 10 000km
Heavy machinery: every 500 work hours

 Clean the product twice a month to remove dirt, salt, and debris that may cause surface discoloration or rust spots

In case of any defects or damage to the METEC product upon delivery, contact the reseller or point of sale where you made your purchase for resolution



Factory routed wiring. Principle schema.

Designation and pin cross-reference chart.

6G1,5	designation	TE282105 (A)	B	C	D beacon	LED marker lights (E)
1	signal / side-rear working lights		1	1		
2	signal / beacon				1	
3	ground		g/y	g/y	g/y	
4	signal / parking lights	2				1
5	signal / front main	3				
g/y	ground	1				2

route the B cable through the front tube (one side)