



Hitachi ZX95US/ZX95USB

Mounting instructions

Art. 88600770, 88600771

Lamp holder for counterweight

Scan the QR code
for translated
instructions or visit
metec.ee/instructions



Weight: 6,9 kg

Time of mounting w/o wiring: 45 min

Required tools:

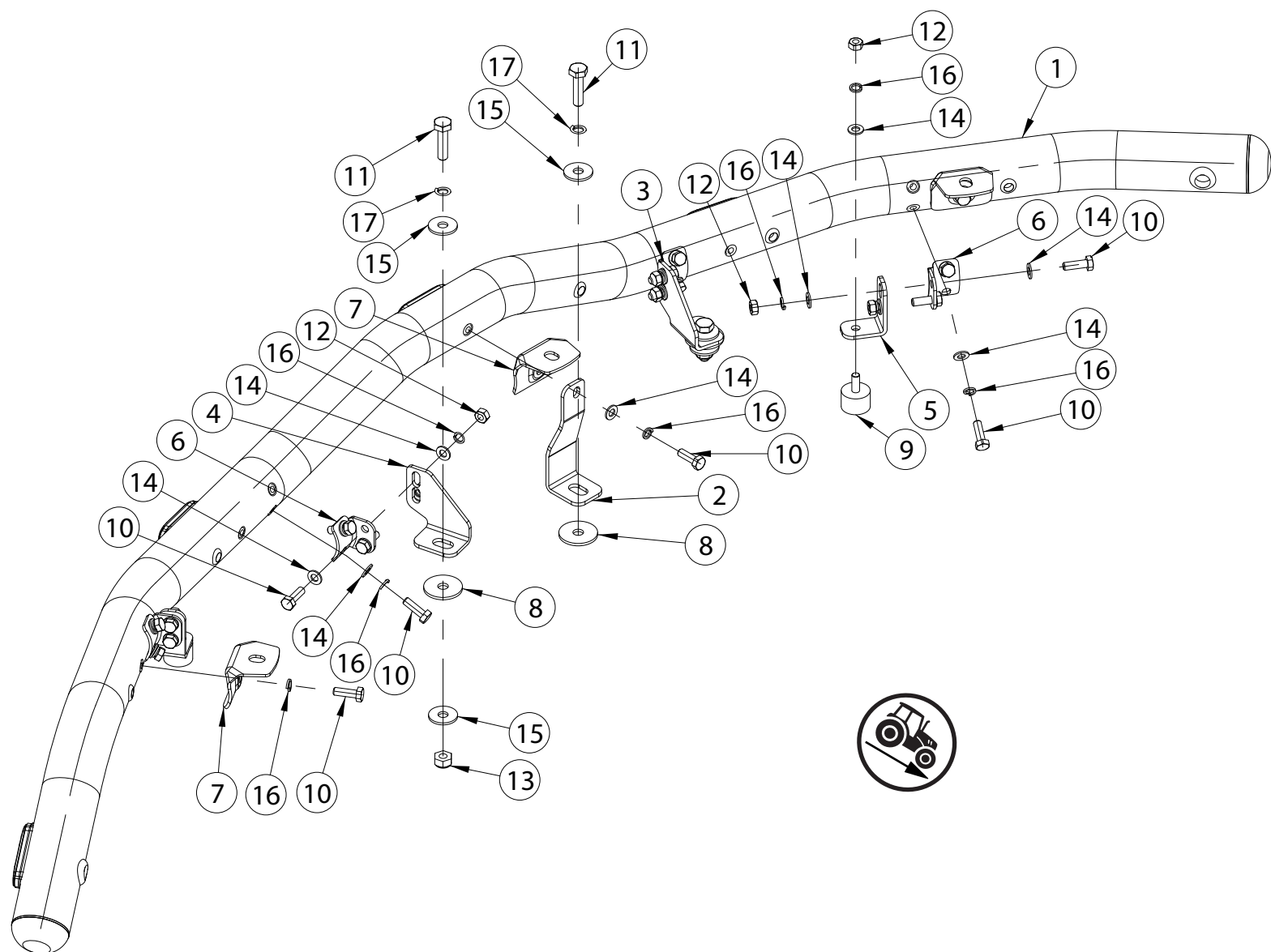


A2 / A4
M8 - 17 Nm
M10 - 33 Nm

Hitachi ZX95US/ZX95USB

Art. 88600770, 88600771

Lamp holder for counterweight



Pos	Description	QTY	Pos	Description	QTY
1.	Tube	1	11.	Bolt M10x40 DIN933-A2	3
2.	Bracket	1	12.	Nut M8 DIN934-A2	10
3.	Bracket	1	13.	Nut M10 DIN985-A2	2
4.	Bracket	1	14.	Flat Washer 8,4x16x1,6	27
5.	Bracket	2	15.	Flat Washer 10,5x30x2,5	5
6.	Bolt bracket	4	16.	Spring washer A8	21
7.	Lamp fixing bracket	3	17.	Spring washer A10	3
8.	Rubber washer	3			
9.	Compensator M8x20	2			
10.	Bolt M8x25 DIN933-A2	19			

Hitachi ZX95US/ZX95USB

Art. 88600770, 88600771

Lamp holder for counterweight

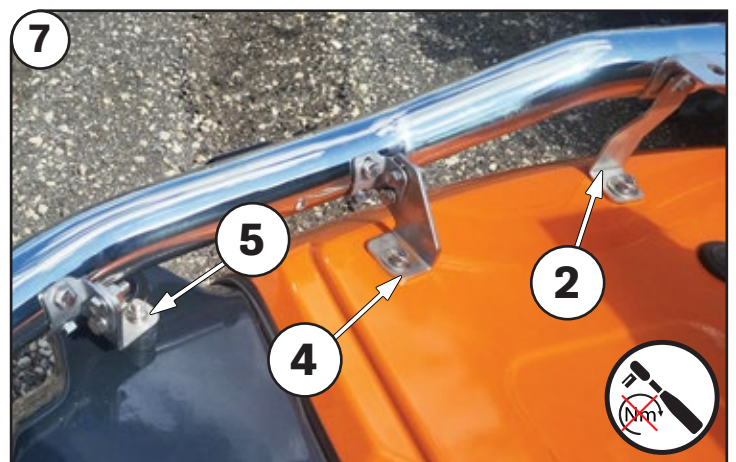
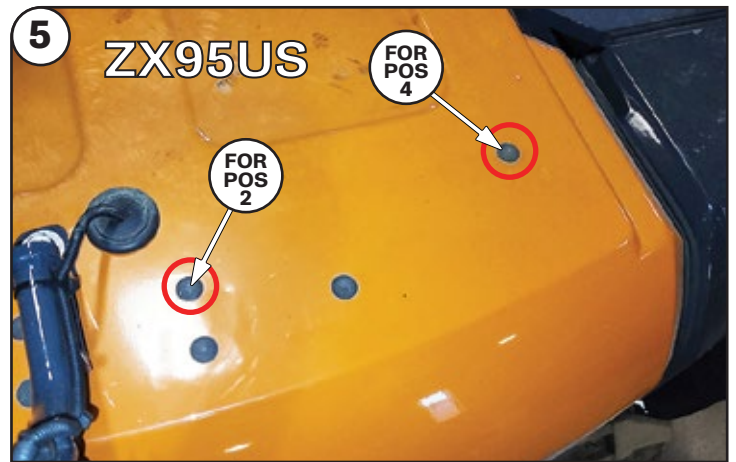
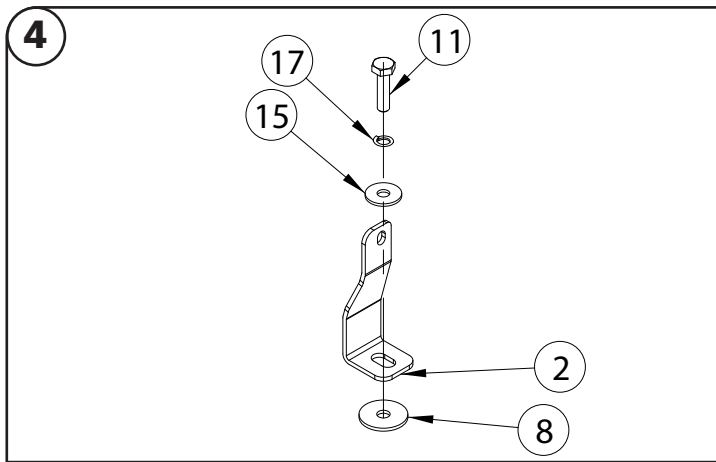
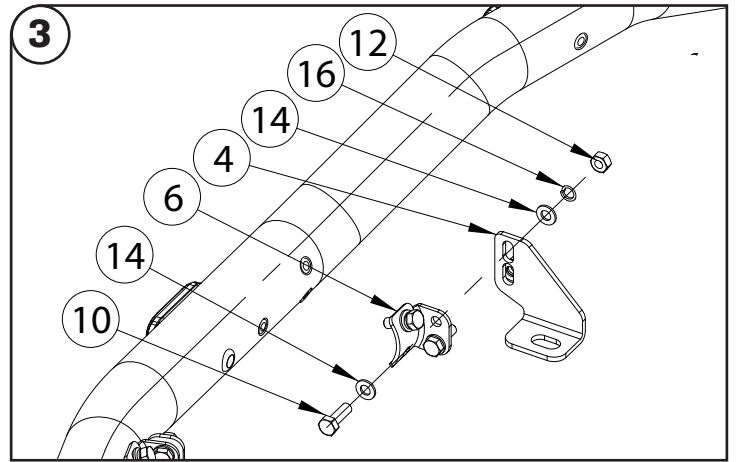
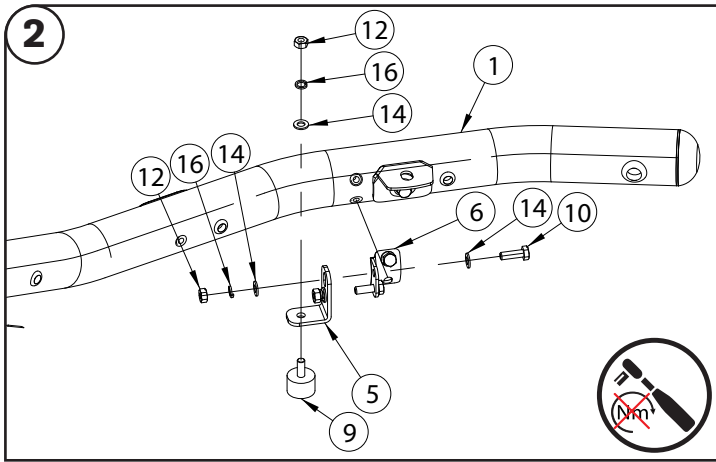
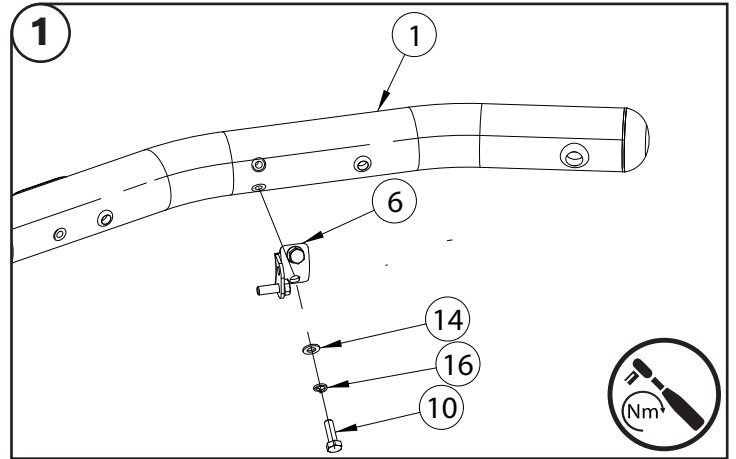
NB!



To prevent cold welding, use cold weld grease or engine oil



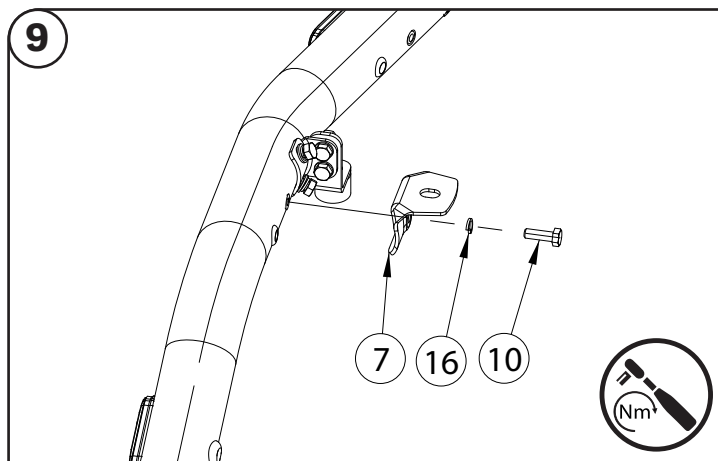
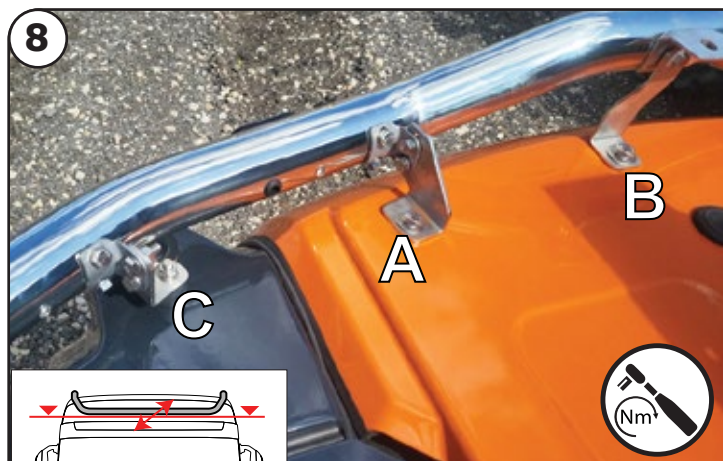
Installation of the lights must be carried out by a qualified electrician only



Hitachi ZX95US/ZX95USB

Art. 88600770, 88600771

Lamp holder for counterweight



Check and retighten the fasteners:
Road vehicles: every 10 000km
Heavy machinery: every 500 work hours



Clean the product twice a month to remove dirt, salt, and debris that may cause surface discoloration or rust spots

In case of any defects or damage to the METEC product upon delivery, contact the reseller or point of sale where you made your purchase for resolution