



New Holland T7

Mounting instructions

Art. 887600

Lamp holder

Scan the QR code
for translated
instructions or visit
metec.ee/instructions



Weight: 20,1 kg

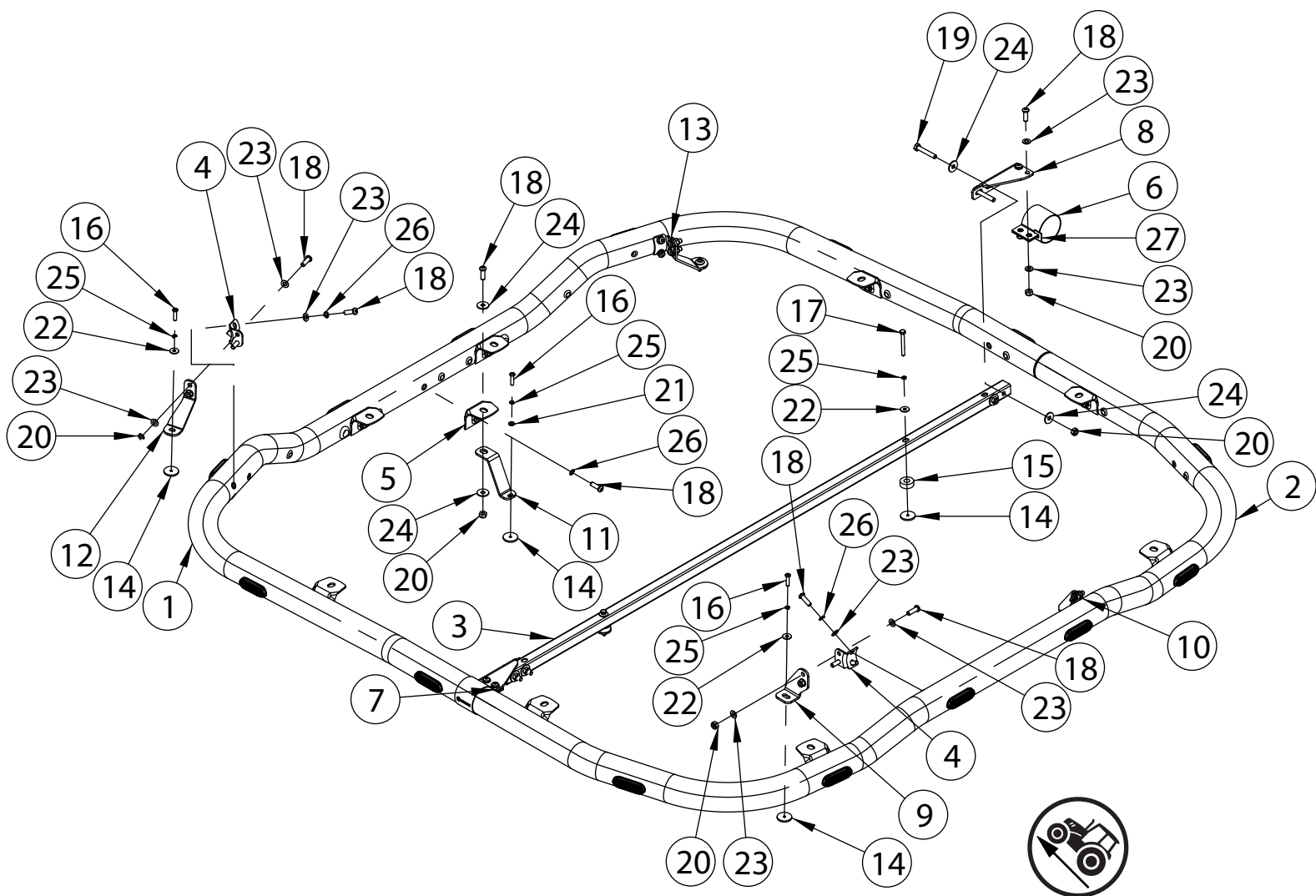
Time of mounting w/o wiring: 60 min

Required tools:



A2 / A4

M6 - 7 Nm
M8 - 17 Nm



Pos	Description	QTY	Pos	Description	QTY	Pos	Description	QTY
1.	Front tube	1	11.	Angeled plate	1	21.	Flat Washer 6,4x12x1,6	1
2.	Rear tube	1	12.	Angeled plate	1	22.	Flat Washer 6,4x18x1,6	6
3.	Tube 25x25	1	13.	Angeled plate	1	23.	Flat Washer 8,4x16x1,6	32
4.	Bolt bracket	4	14.	Rubber washer d=30/5	7	24.	Flat Washer 8,4x24x2	10
5.	Lamp fixing bracket	9	15.	Bushing	2	25.	Spring washer A6	7
6.	Clamp	2	16.	Bolt M6x25 DIN7380-A2	5	26.	Spring washer A8	17
7.	Lamp fixing bracket	1	17.	Bolt M6x55 DIN931-A2	2	27.	Brace-it installation tool	2
8.	Angeled plate	1	18.	Bolt M8x25 DIN7380-A2	30			
9.	Angeled plate	1	19.	Bolt M8x50 DIN933-A2	4			
10.	Angeled plate	1	20.	Nut M8 DIN985-A2	17			

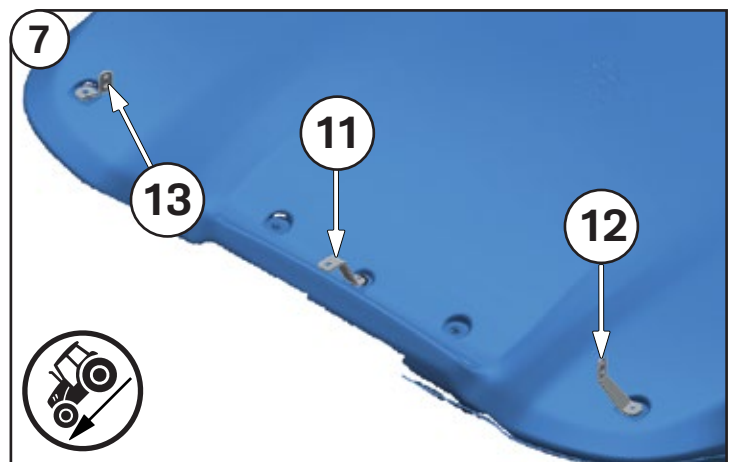
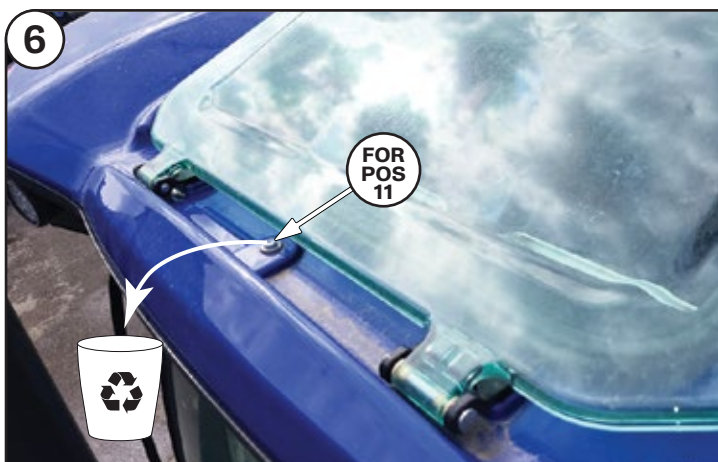
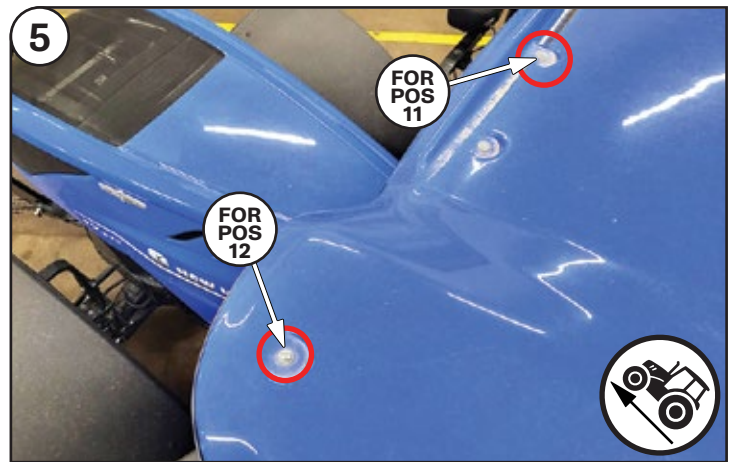
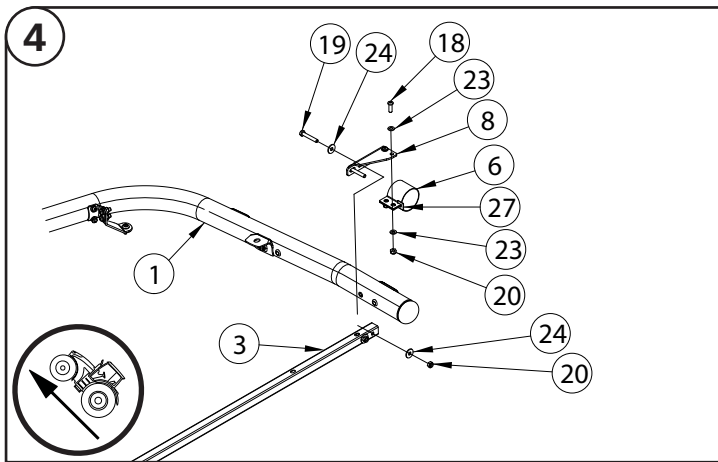
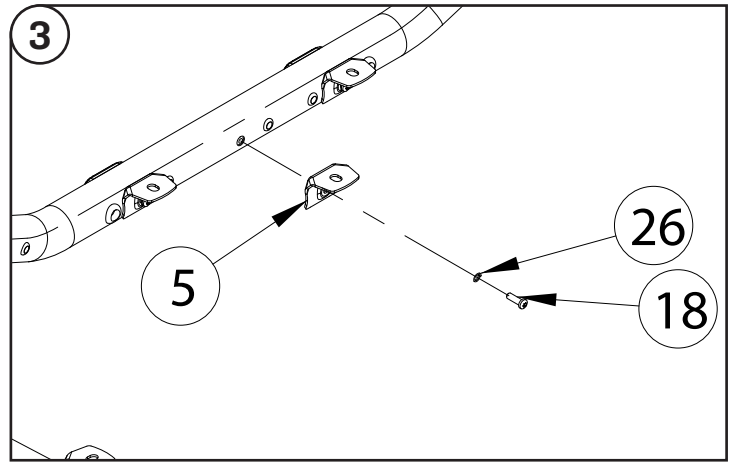
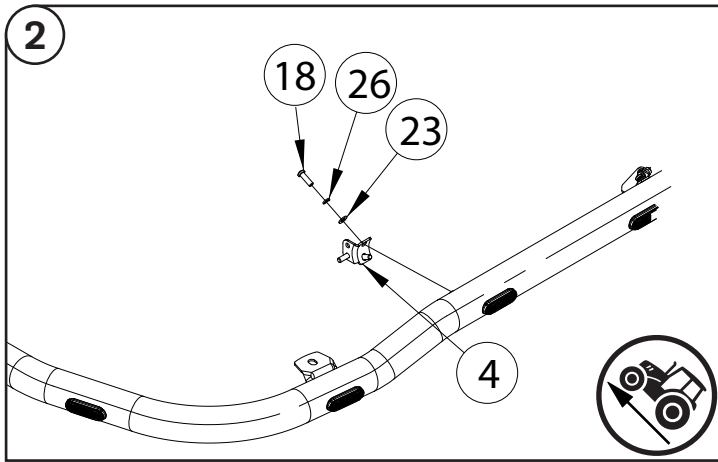
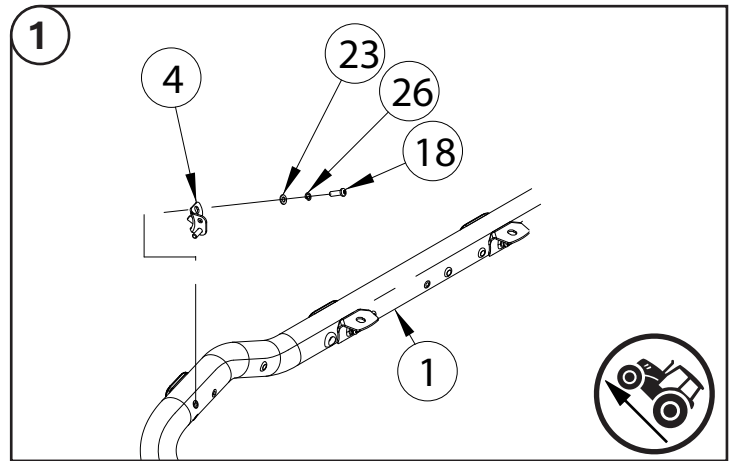
NB!



To prevent cold welding, use cold weld grease or engine oil

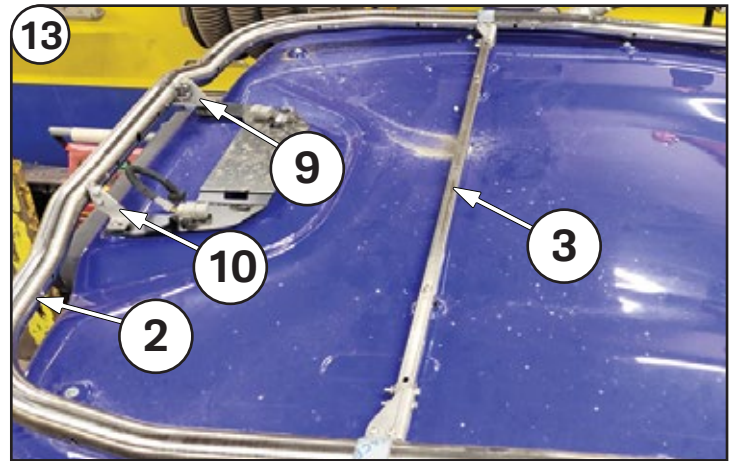
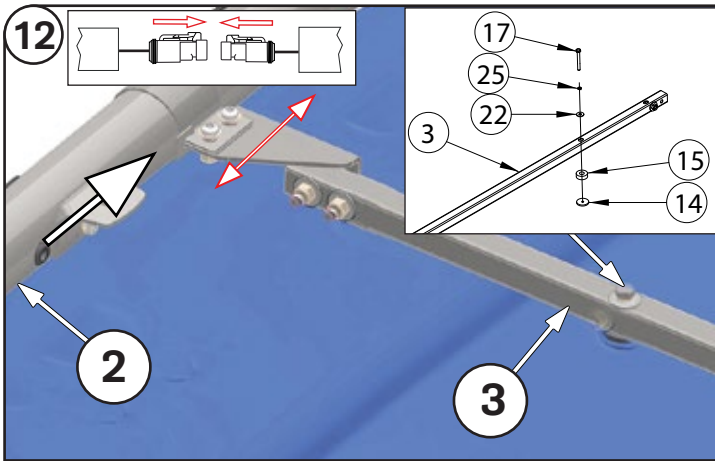
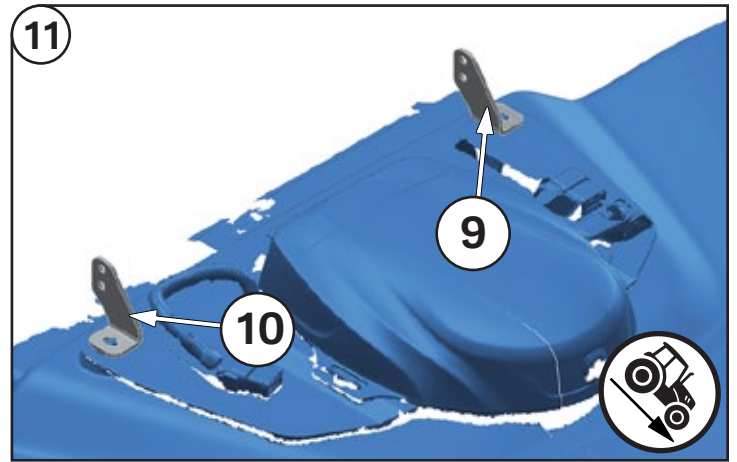
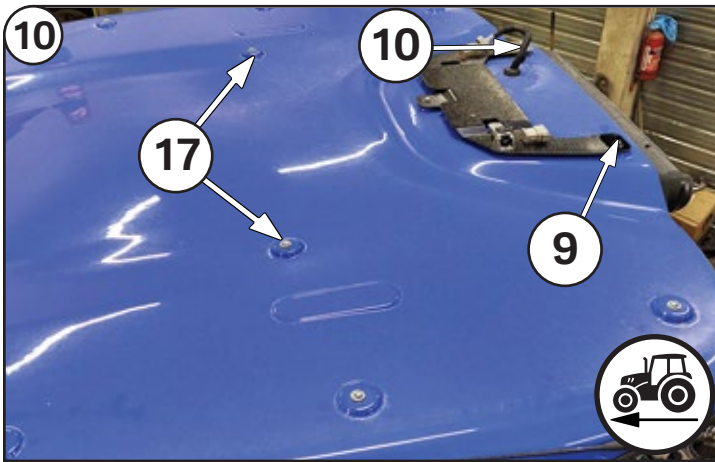
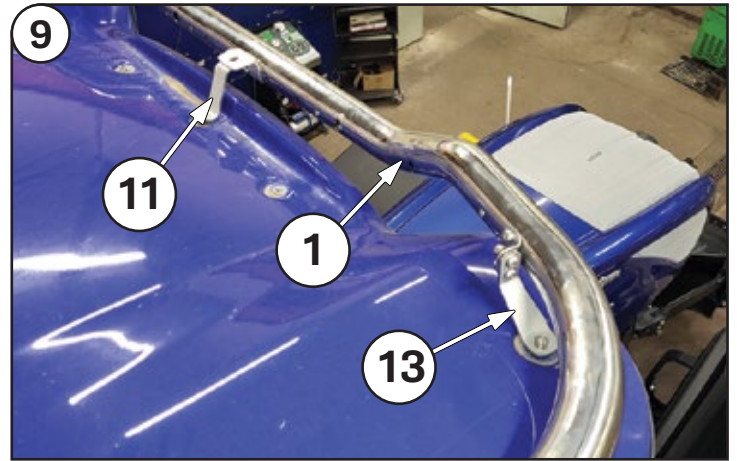
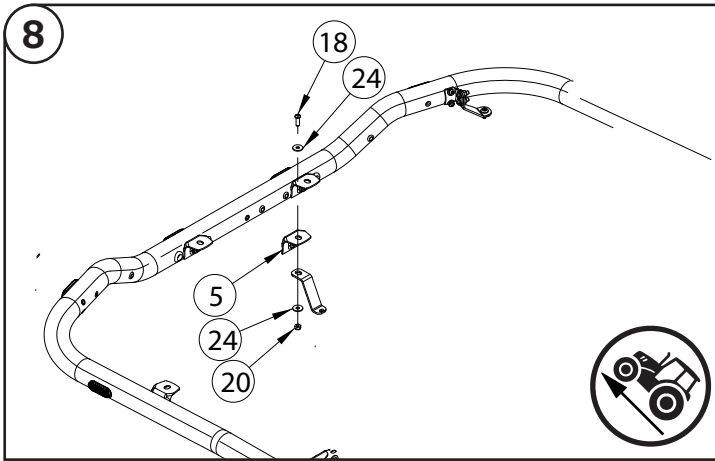


Installation of the lights must be carried out by a qualified electrician only



New Holland T7

Art. 887600
Lamp holder



Check and retighten the fasteners after each 10 000km



Clean and wash the product twice a month to prevent corrosion

In case of any defects or damage to the METEC product upon delivery, contact the reseller or point of sale where you made your purchase for resolution