



# Hitachi ZX135US 21-

Mounting instructions

Art. 88600270, 88600271

Lamp holder for counterweight

Scan the QR code  
for translated  
instructions or visit  
[metec.ee/instructions](http://metec.ee/instructions)



Weight: 12,0 kg

Time of mounting w/o wiring: 45 min

**Required tools:**



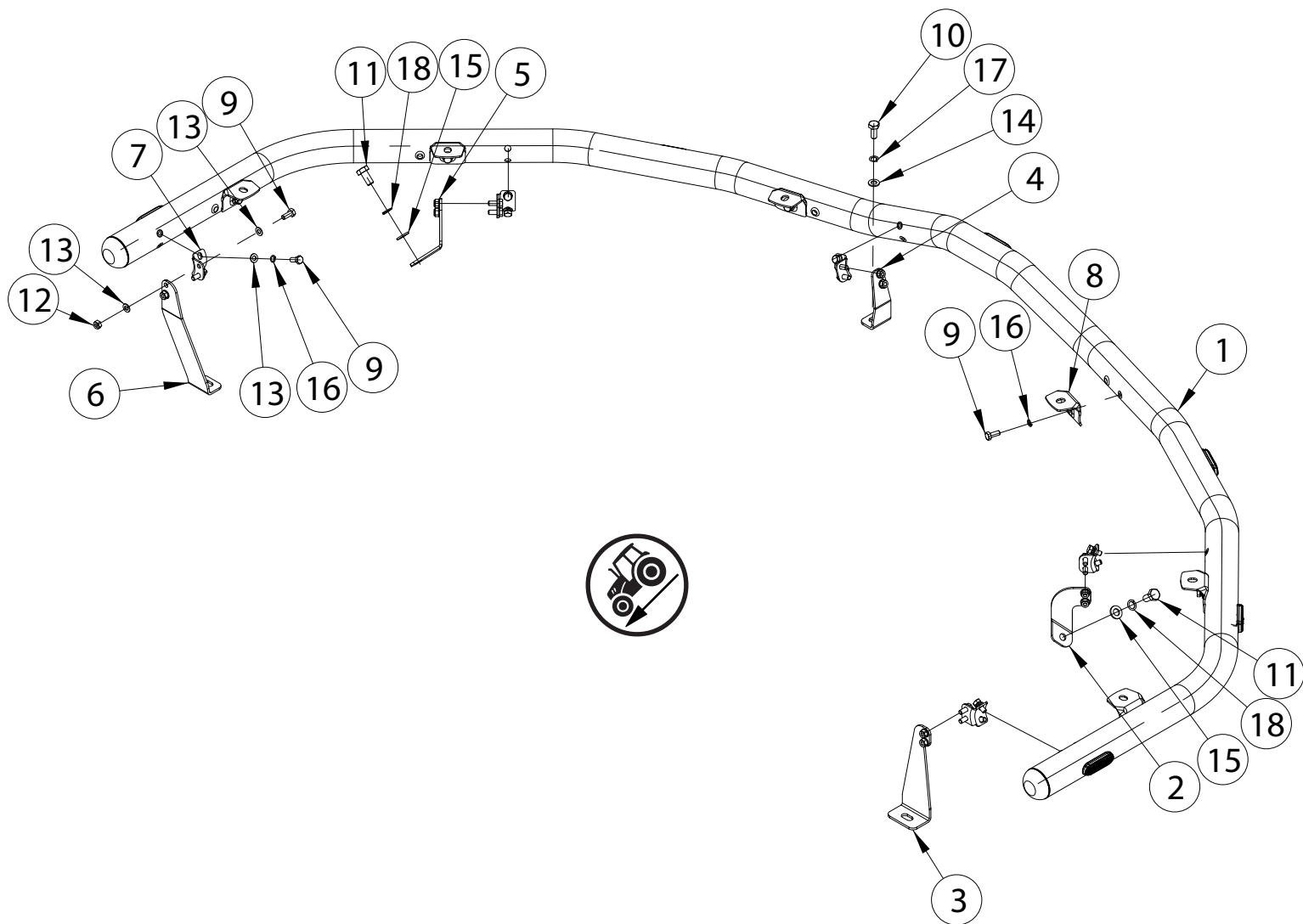
**A2 / A4**

**M8 - 17 Nm**  
**M10 - 33 Nm**  
**M12 - 57 Nm**

# Hitachi ZX135US 21-

Art. 88600270, 88600271

Lamp holder for counterweight



Pos	Description	QTY	Pos	Description	QTY
1.	Tube	1	11.	Bolt M12x25 DIN933-A2	2
2.	Bracket	1	12.	Nut M8 DIN985-A2	10
3.	Bracket	1	13.	Flat Washer 8,4x16x1,6	30
4.	Bracket	1	14.	Flat Washer 10,5x20x2	1
5.	Bracket	1	15.	Flat Washer 13x24x2,5	2
6.	Bracket	1	16.	Spring washer A8	16
7.	Bolt bracket	5	17.	Spring washer A10	1
8.	Lamp fixing bracket	6	18.	Spring washer A12	2
9.	Bolt M8x20 DIN933-A2	26			
10.	Bolt M10x25 DIN933-A2	1			

# Hitachi ZX135US 21-

Art. 88600270, 88600271

Lamp holder for counterweight

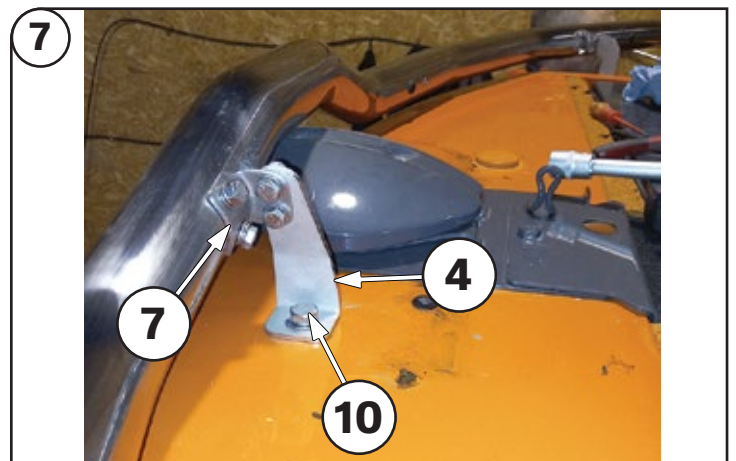
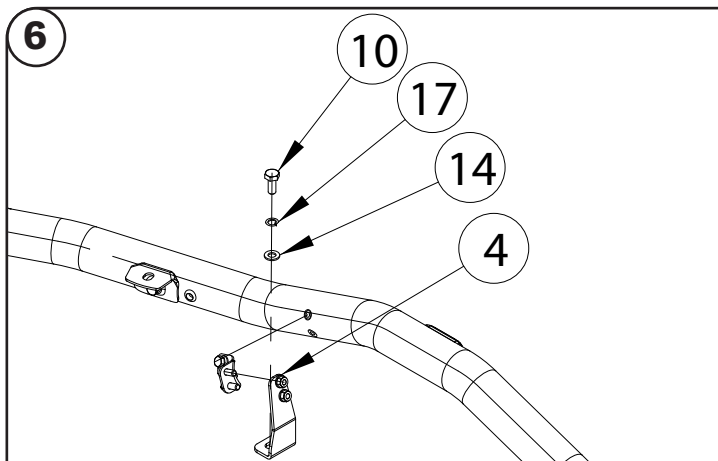
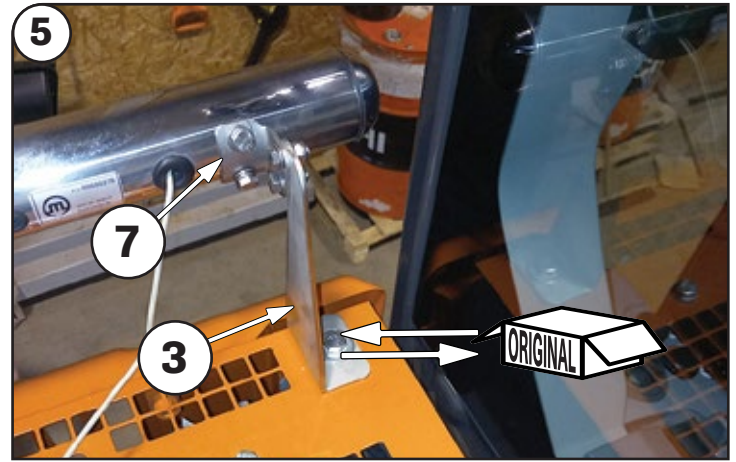
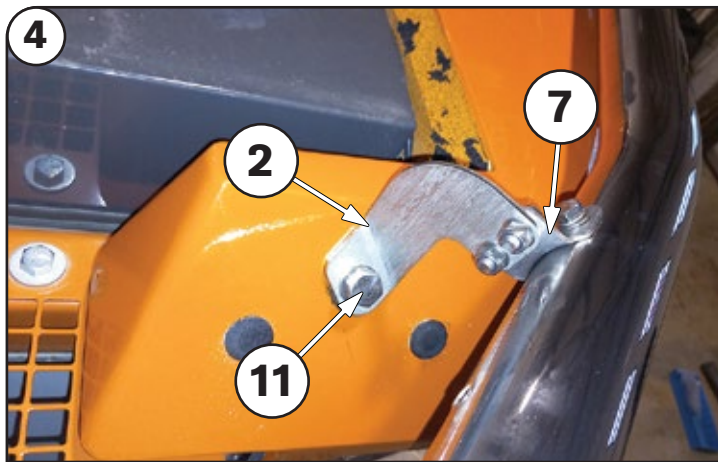
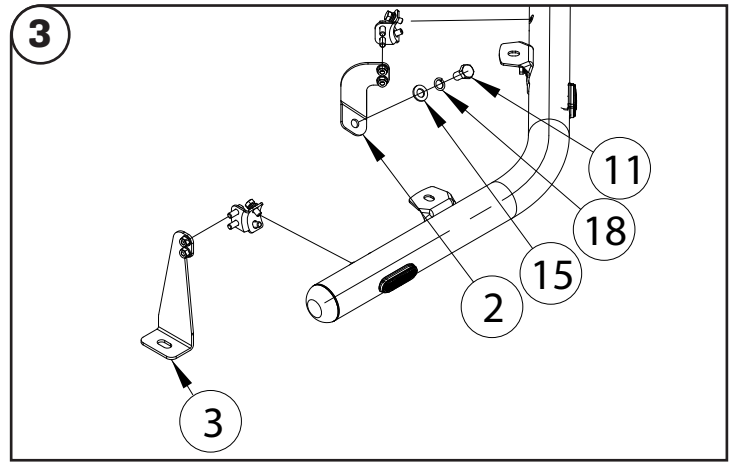
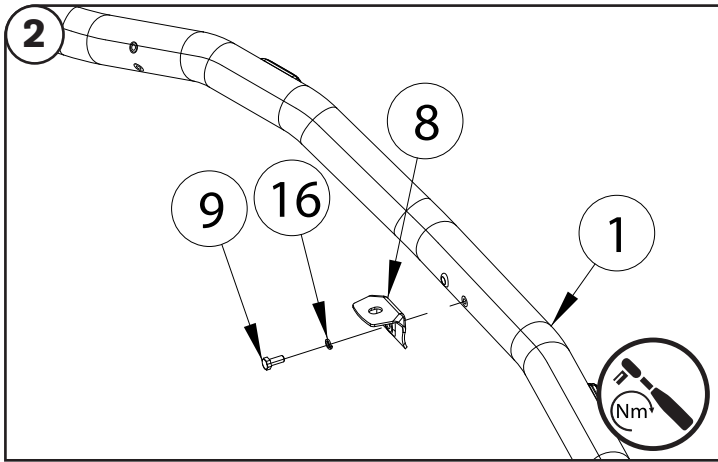
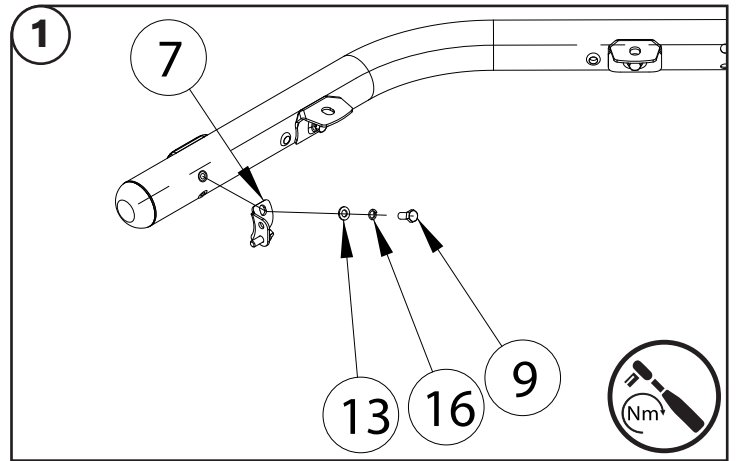
## NB!



To prevent cold welding, use cold weld grease or engine oil



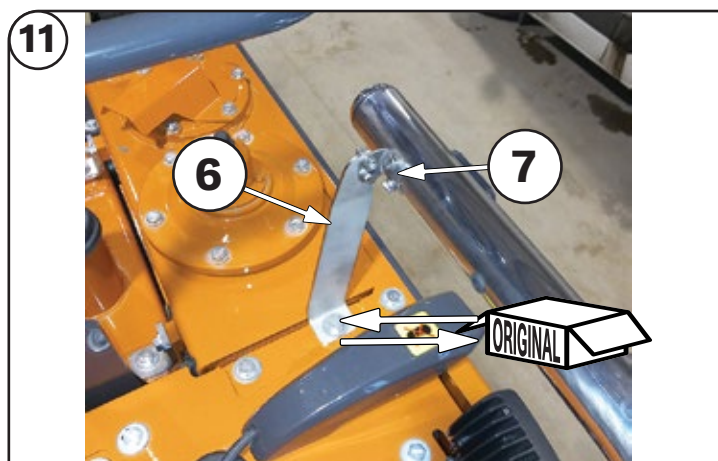
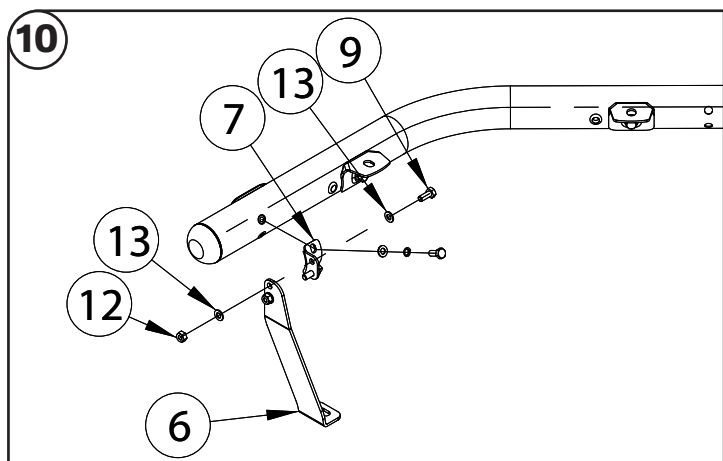
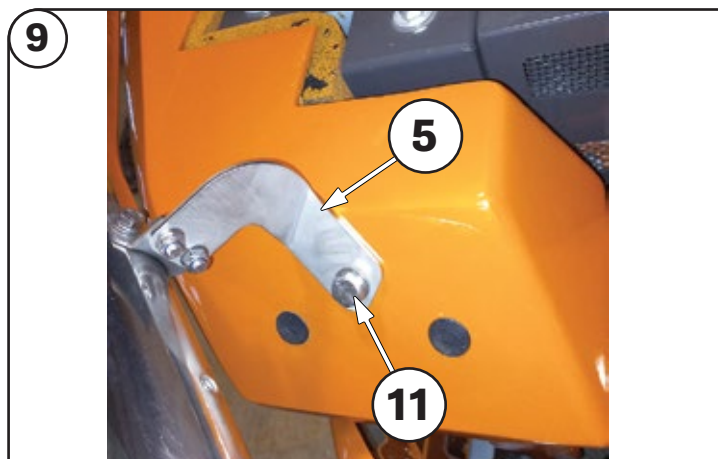
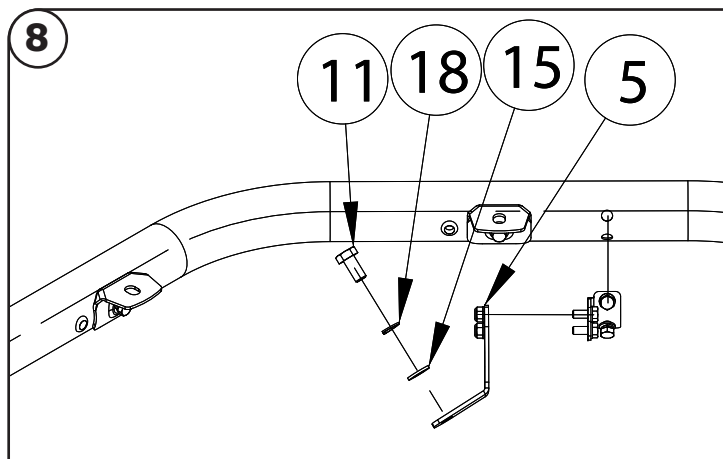
Installation of the lights must be carried out by a qualified electrician only



# Hitachi ZX135US 21-

Art. 88600270, 88600271

Lamp holder for counterweight



Check and retighten the fasteners:  
Road vehicles: every 10 000km  
Heavy machinery: every 500 work hours



Clean the product twice a month to remove dirt, salt, and debris that may cause surface discoloration or rust spots

In case of any defects or damage to the METEC product upon delivery, contact the reseller or point of sale where you made your purchase for resolution